

6

5

4

3

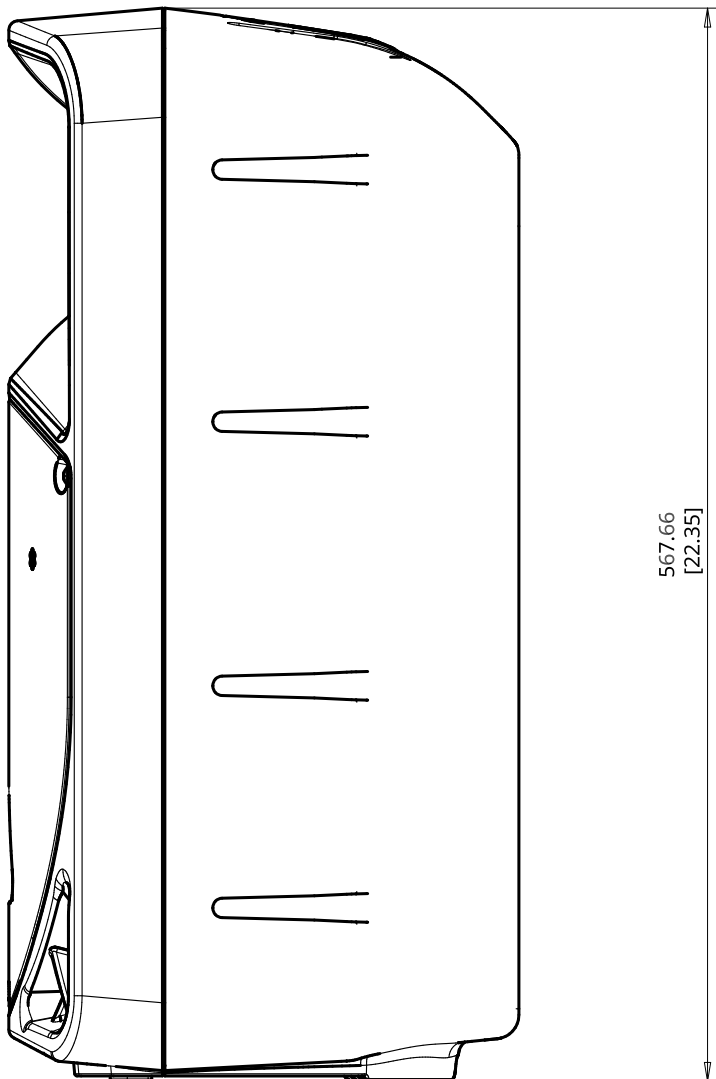
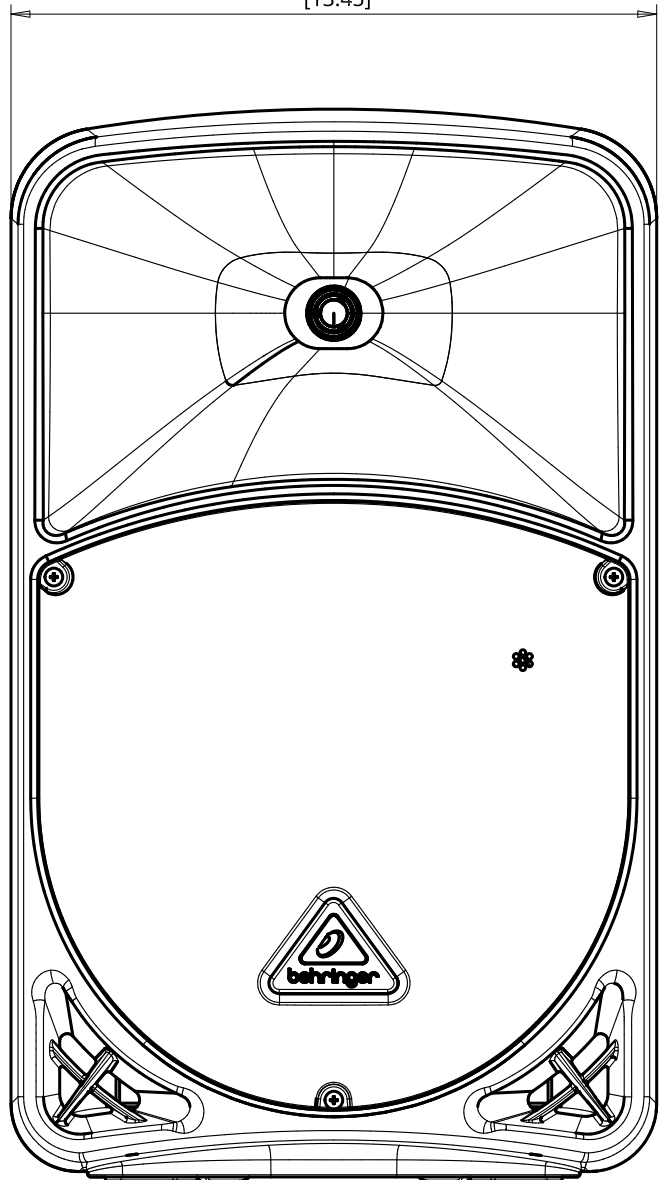
2

1

REVISION HISTORY

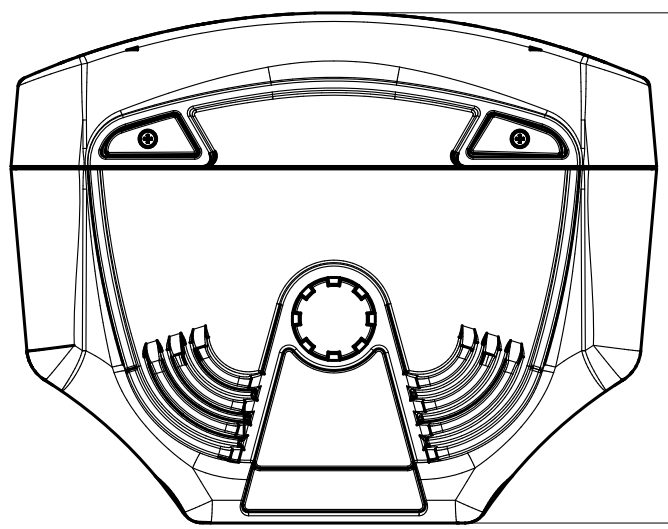
| REV | DESCRIPTION | DATE | REVISED |
|-----|------------------|------------|---------|
| A0 | DRAWING RELEASED | 2020-02-07 | |

341.63
[13.45]



567.66
[22.35]

269.88
[10.6]



1:4

musictribe

THE INFORMATION AND MARKS CONTAINED IN THIS DRAWING ARE THE SOLE PROPERTY OF MUSIC TRIBE WHICH SHALL NOT BE COPIED, REPRODUCED OR DISCLOSED WITHOUT WRITTEN PRIOR PERMISSION OF MUSIC TRIBE.

| | | | |
|-----------------|--|-----------------|--------------|
| PROJECT: | DESCRIPTION: B112MP3_POAJM_DIMENSIONAL DRAWING_EN | | |
| MATERIAL: | SIZE: A3 | DRAWING NUMBER: | |
| SURFACE FINISH: | SCALE 1:4 | | SHEET 1 OF 1 |

ALL DIMENSIONS IN X,XXmm[X.XXXin]
DO NOT SCALE DRAWING

6

5

4

3

2

1